

INSTALLATION MANUAL

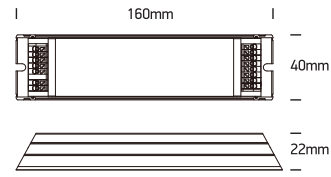
89005A/EME



230V | 5-50W | IP20 | Emergency kit for LED fittings and LED strips | 3Hrs Maintained

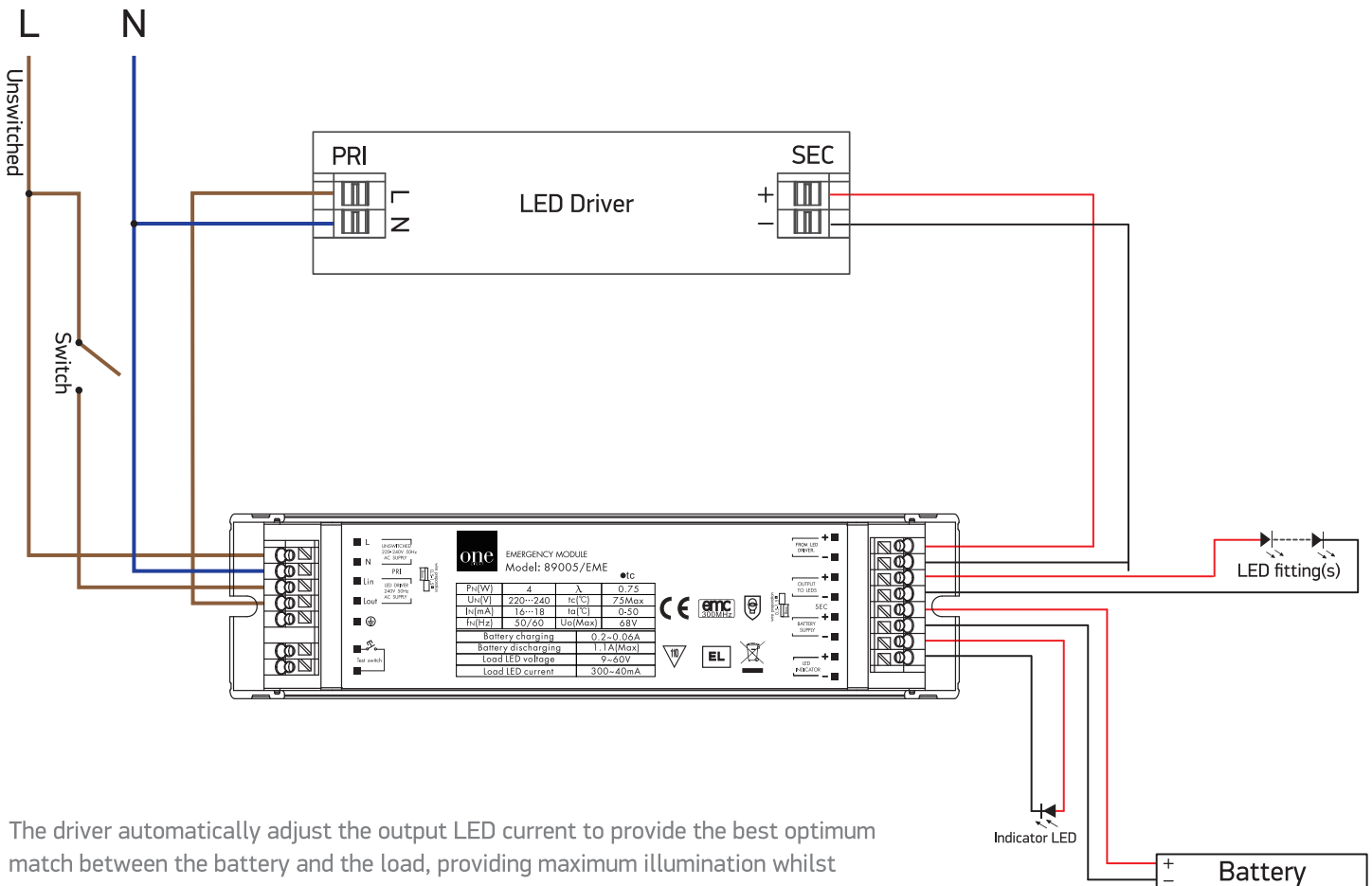
Supplied with battery Ni-Cd 3,6V 4,0Ah.

Compatible for most LED fittings 5-50W and LED strips. Built-in installation.



Battery Type	Charge Period	Battery Duration	Notes
3 cells Ni-Cd battery 3,6V 4,0Ah	24 hours	3 hours	Do not short circuit or connect the batteries in reverse. Charge new battery for 24hrs before use. High temperature battery pack (55°C).

WIRING DIAGRAM



The driver automatically adjust the output LED current to provide the best optimum match between the battery and the load, providing maximum illumination whilst ensuring full battery duration.

Emergency mode light output compared with normal operation:

Luminaire Power	5W	7W	10W	12W	15W	20W	25W	30W	35W	40W	45W	50W
	60%	43%	30%	25%	20%	15%	12%	10%	9%	8%	7%	6%

Warnings:

1. Make sure that the product is installed properly before connecting to electricity.
2. Do not cover the fitting.
3. Maintenance and installation should only be carried out by a professional electrician.