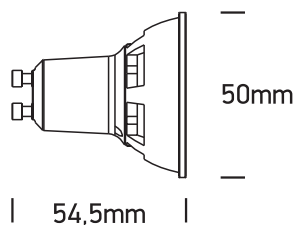


# INSTALLATION MANUAL

## 7306LG (Non-Dimmable)

**ecolamp**



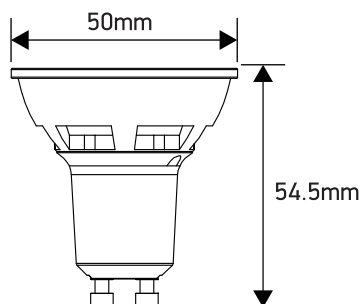
### Product Description:

Non-Dimmable LED lamp integrates compact housing design and outstanding optical performance. It has 25,000 hours average life-time, high power efficiency, up to 90% energy saving compared to traditional Halogen lamp. No UV and Cool Beam (no IR). Complies with CE and RoHS standard.

### • SPECIFICATION

Order code	Power (W)	Luminous Flux (lm)	CRI (Ra)	Colour Temperature (K)	Operating Voltage (V)	Frequency (Hz)	Lamp Base
7306LG/D/38	5,5W	375lm	80	6500K	100-240V	50/60Hz	GU10
7306LG/C/38	5,5W	360lm	80	4000K	100-240V	50/60Hz	GU10
7306LG/W/38	5,5W	345lm	80	3000K	100-240V	50/60Hz	GU10

### • DIMENSIONS(mm)



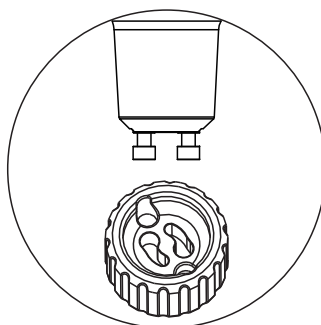
### • APPLICATIONS

This lamp is designed with various colour temperatures and flexible to be used in:

- \* Home lighting
- \* Landscape lighting, display case fixtures
- \* Hotels and bars lighting
- \* Elite shops, jeweler's shop, goldsmith shop
- \* Corridors, Reception areas

### • INSTALLATION

**A** Make sure power is OFF before installation.



**B** Install the lamp into GU10 Lamp holder as shown

### Warnings:

1. Indoor use only, not for use in damp areas.
2. Operating temperature is  $-20^{\circ}\text{C} \sim +40^{\circ}\text{C}$ .
3. Make sure power is OFF before installation, replacement or cleaning.
4. Do NOT disassemble the LED lamps.
5. Keep far from paper or other flammable material.
6. Do NOT use it with emergency light fixtures or exit lights.
7. Do NOT touch the lamp while operating, it can get hot. Wait some minutes after turning it OFF before touching it.
8. Avoid looking directly into the lamp.
9. Non-Dimmable.
10. These lamps are not suitable to be used in completely enclosed fixtures without ventilation.