

INSTALLATION MANUAL

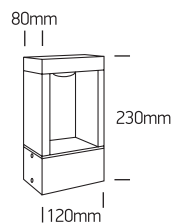
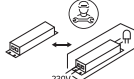
67470/./V

LED
BUILT IN

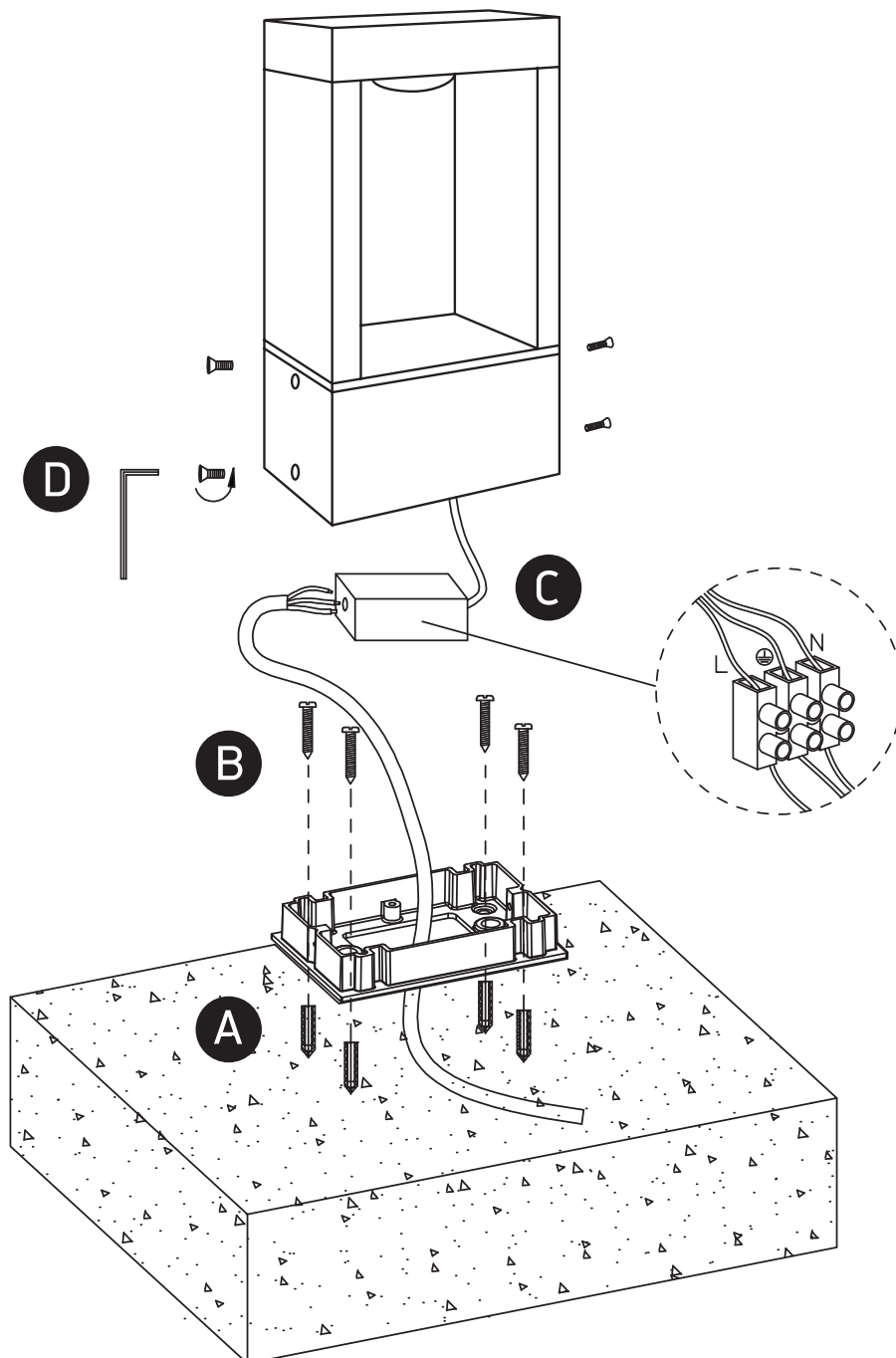


230V | COB | 10W | IP65 | Die cast
Complete with 240mA driver.

80
CRI



one
LIGHT



Warnings:

1. Make sure that the product is installed properly before connecting to electricity.
2. Do not cover the fitting.
3. Maintenance and installation should only be carried out by a professional electrician.