

INSTALLATION MANUAL

62144NB

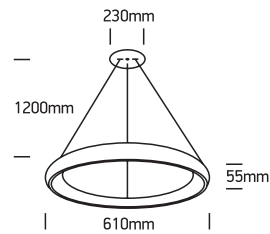
ecolight



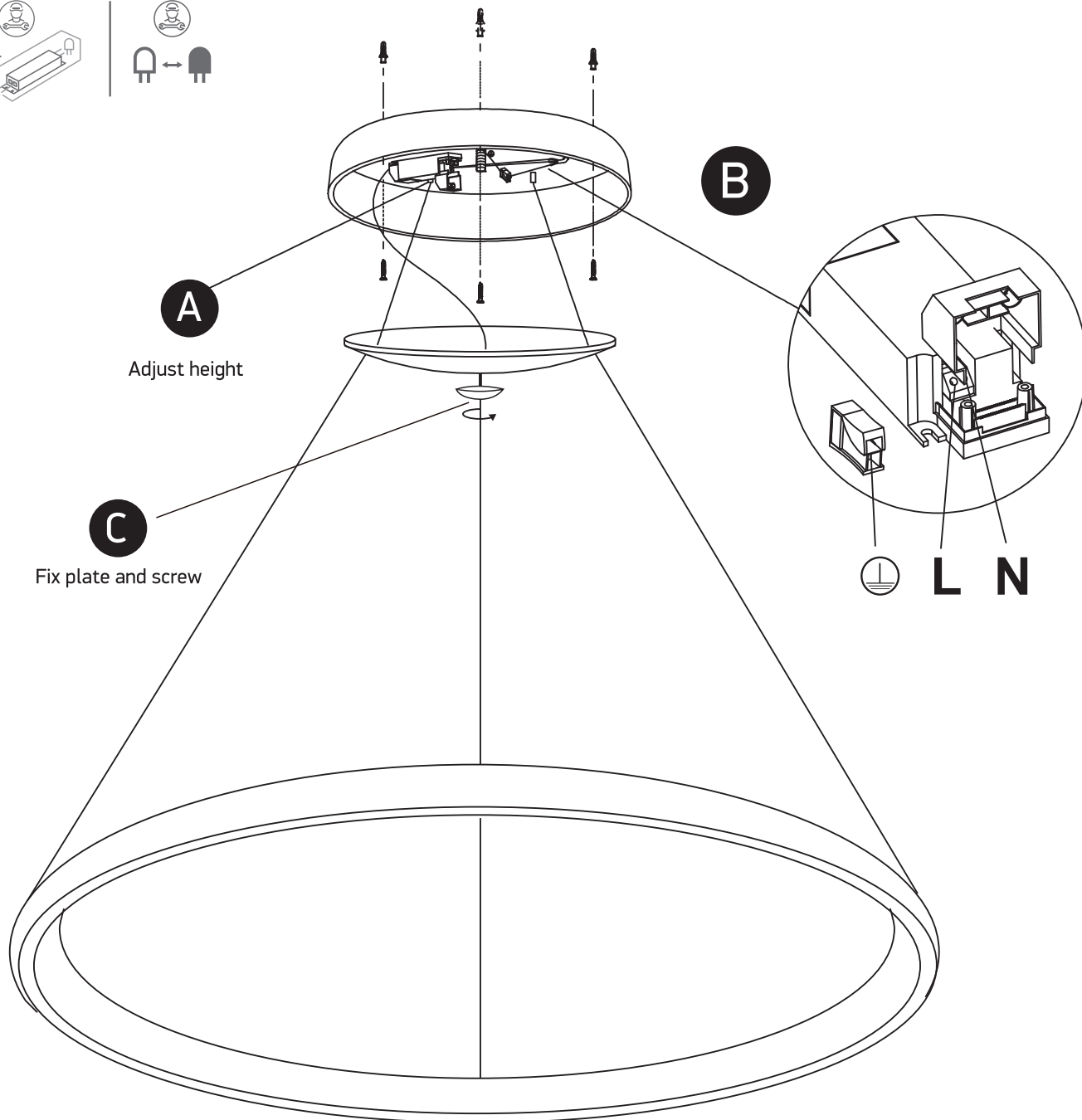
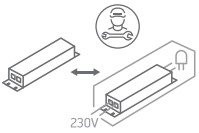
230V | SMD 2835 | 50W | IP20 | Metal

Complete with 1200mA driver

80 CRI



one
LIGHT



Warnings:

1. Fix the base on the ceiling.
2. Make sure that the product is installed properly before connecting to electricity.
3. Connect the AC power cable to the driver's cable as shown in the above diagram.
4. Do not cover the fitting.
5. Maintenance and installation should only be carried out by a professional electrician.