

# INSTALLATION MANUAL

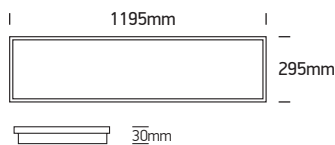
50140BRU

ecopanel

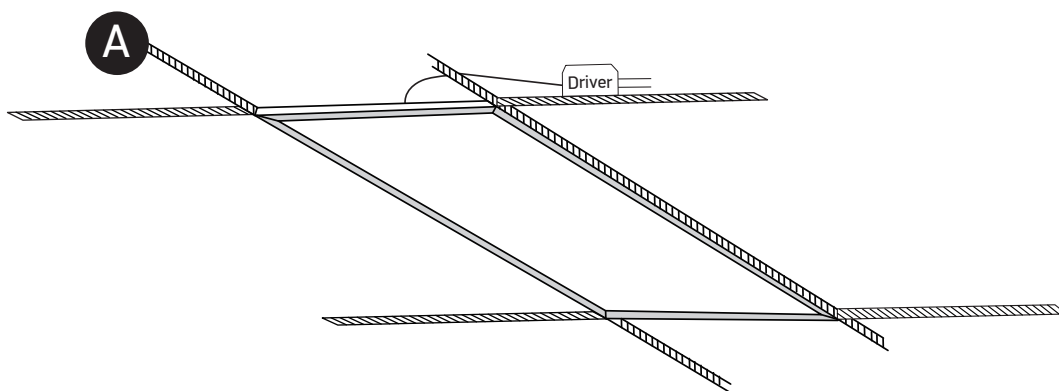


230V | SMD 2835 | 40W | IP20 | Aluminium + Steel  
Complete with 1000mA driver. Optional suspension kit.  
Order code 050017. Optional clips for recessed installation.  
Order code 050108 (2 Sets).

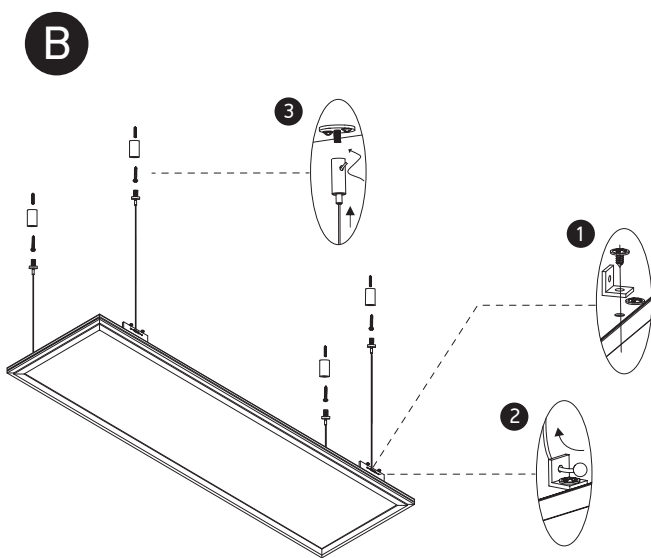
80  
CRI



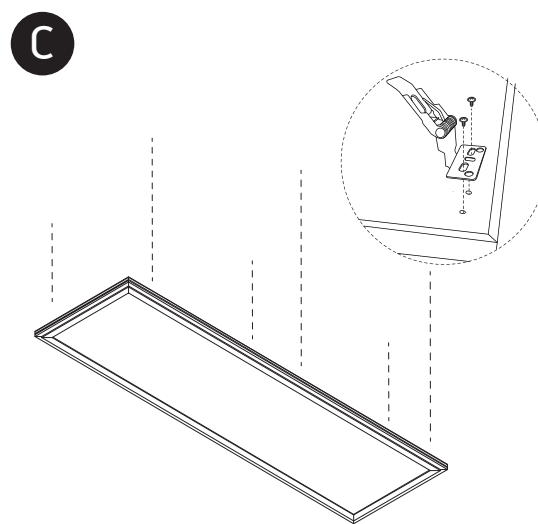
one  
LIGHT



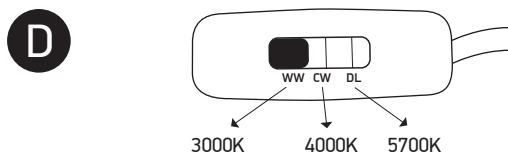
Recessed fitting for 1200x300mm T-rail false ceilings



Ceiling mount suspended applications using optional kit 050017.



Recessed mount applications using optional kit 050108 (2 Sets).



CCT V switch can be found on the driver cable.

## Warnings:

1. Make sure that the product is installed properly before connecting to electricity.
2. Do not cover the fitting.
3. Maintenance and installation should only be carried out by a professional electrician.