

INSTALLATION MANUAL

38145AR

ecolight



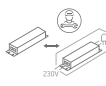
UGR19

90 CRI



230V | SMD 2835 | 40W | IP20 | Aluminium

Complete with 1000mA driver
Can be connected in line.



1210mm

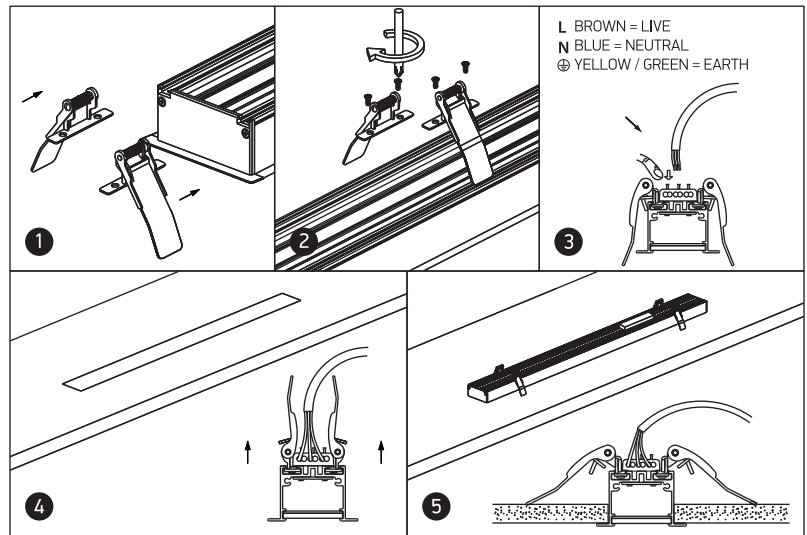
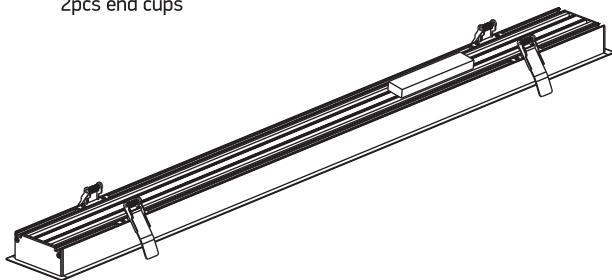
50mm

55mm

one
LIGHT

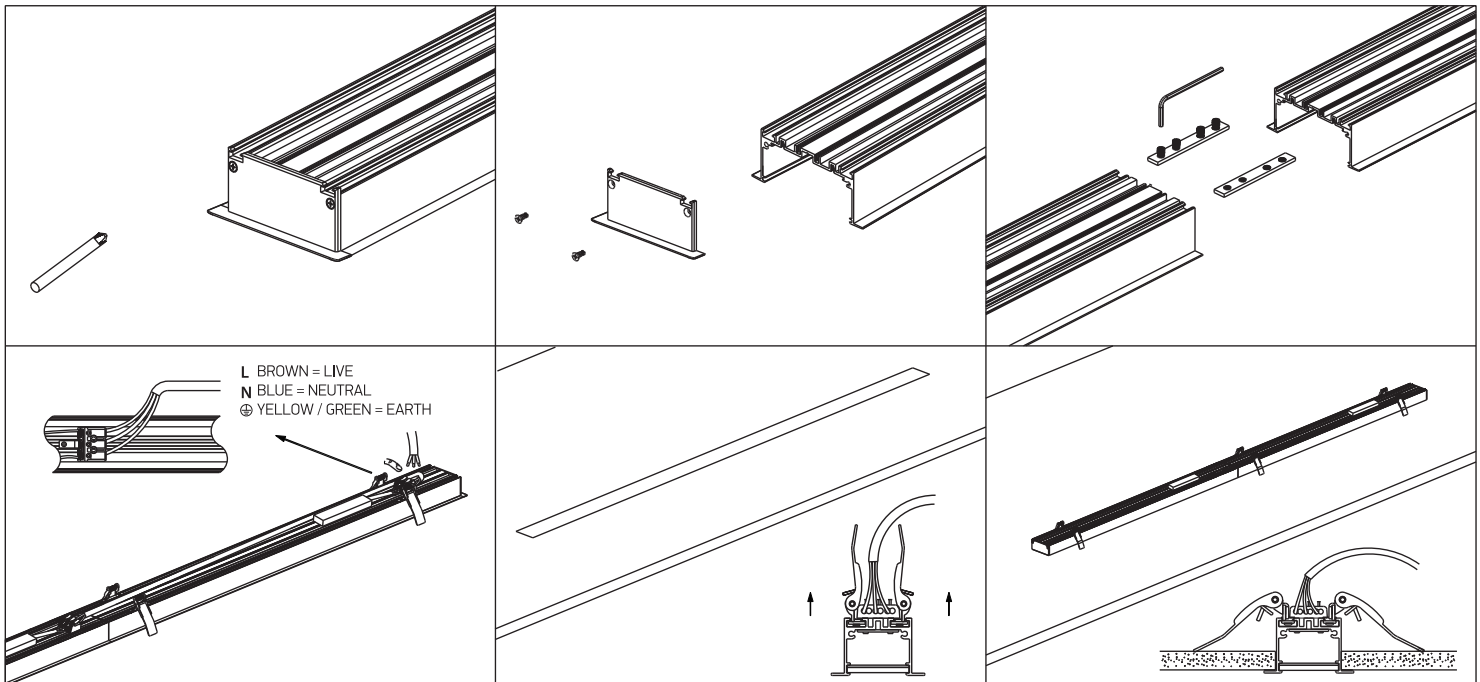
A INSTALLATION

Complete with:
6pcs fixing clips
4pcs connectors
2pcs end cups



L BROWN = LIVE
N BLUE = NEUTRAL
⊕ YELLOW / GREEN = EARTH

B CONNECTION



L BROWN = LIVE
N BLUE = NEUTRAL
⊕ YELLOW / GREEN = EARTH

Warnings:

1. Make sure that the product is installed properly before connecting to electricity.
2. Do not cover the fitting.
3. Maintenance and installation should only be carried out by a professional electrician.