

INSTALLATION MANUAL

10106P

LED
BUILT IN



80
CRI



87mm

230V | SMD 2835 | 6W | IP65 | Plastic
Complete with driver.

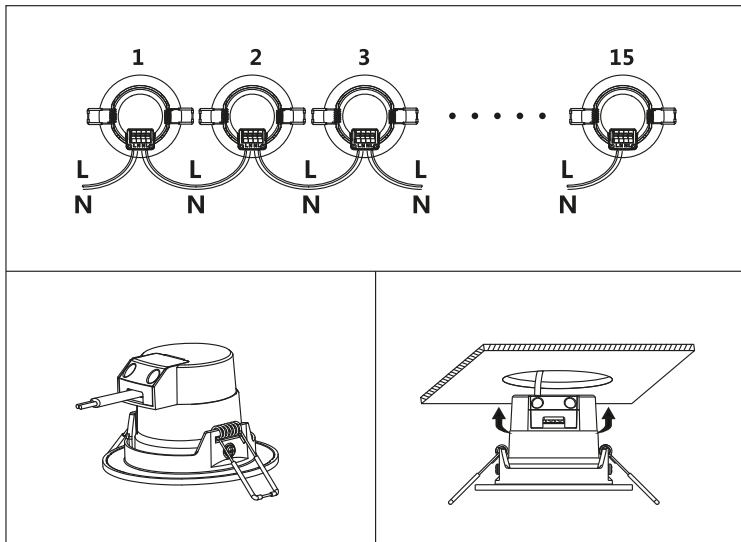


67mm

one
LIGHT

LOOPING-IN CONNECTION WIRING DIAGRAM

Connect maximum 15pcs



Warnings:

1. Operating temperature is -20°C ~ $+40^{\circ}\text{C}$.
2. Make sure power is OFF before installation, replacement or cleaning.
3. Do NOT disassemble the LED fitting.
4. Keep far from paper or other flammable material.
5. Do NOT touch the fitting while operating, it can get hot. Wait some minutes after turning it OFF before touching it.
6. Avoid looking directly into the lamp.