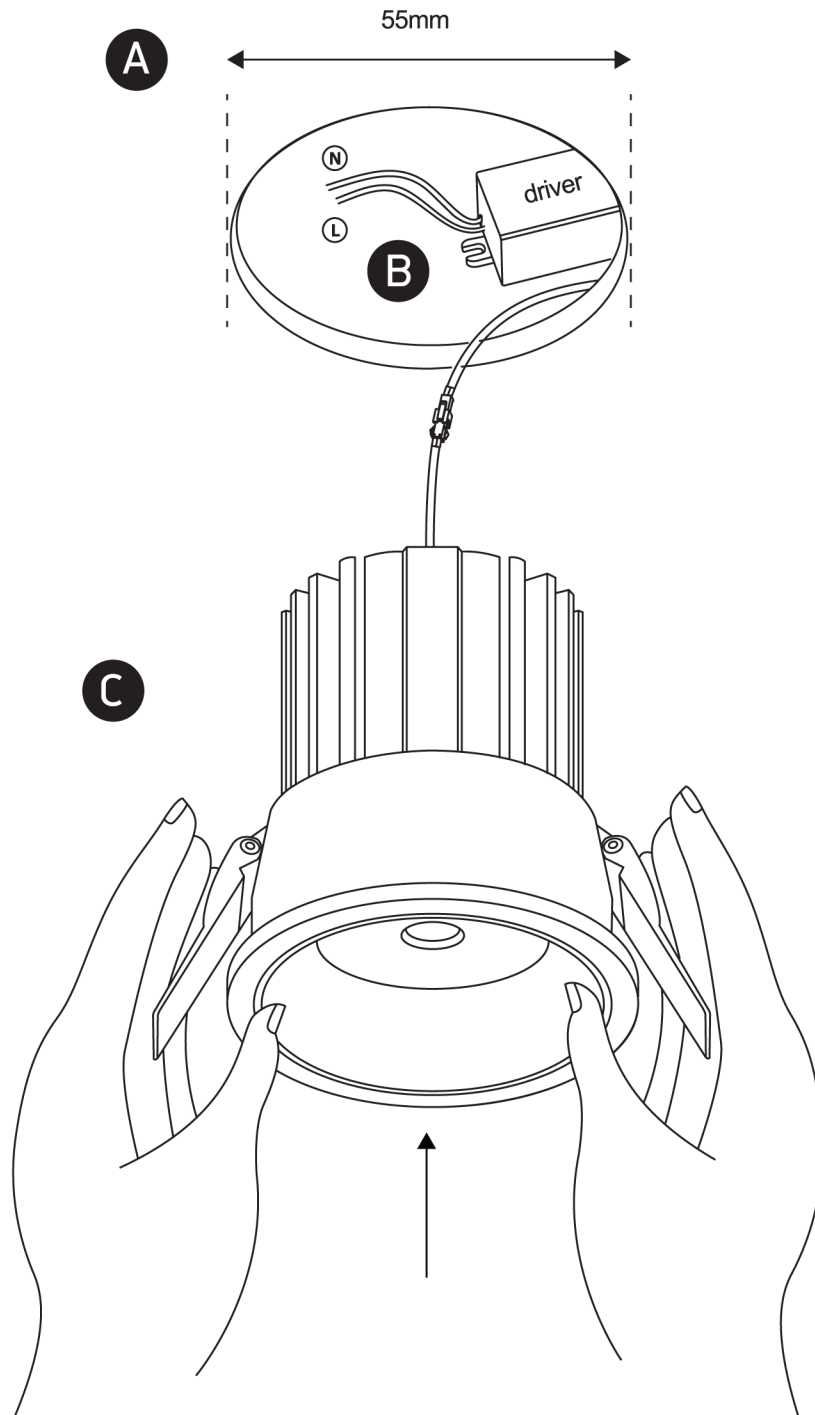


# INSTALLATION MANUAL

10106DC



350mA | COB LED | 6W | IP20 | Die cast  
Requires 700mA driver.



## Warnings:

1. Make sure that the product is installed properly before connecting to electricity.
2. Do not cover the fitting.
3. Maintenance and installation should only be carried out by a professional electrician.